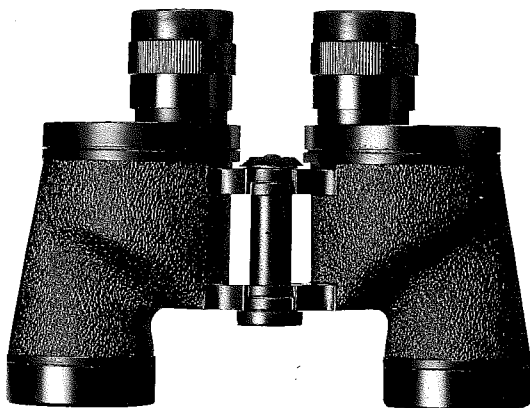


7X,50 BIF



You can scan the night seas with this precision instrument which combines exceptionally bright viewing with added protection against shock, moisture and dust. Special sealing prevents water leakage.



8X,30 BIF



Offering extra magnifying power, plus special sealing and protection against shocks and water, these glasses are light enough to carry anywhere. They're the yachtsman's favorite. A rubberized coating is available for maximum protection.

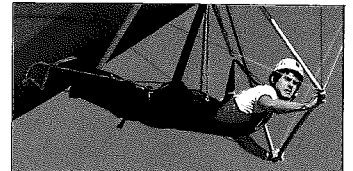


ZOOM

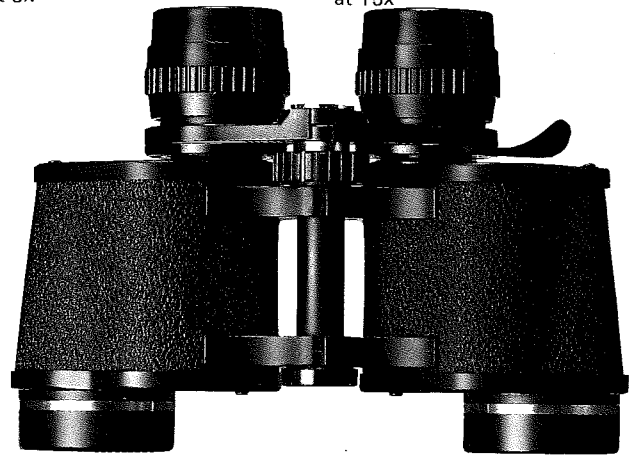
Zoom Binoculars To be sure of having the perfect degree of magnifying power for a wide variety of subjects, you should look into zoom binoculars. Fingertip control lets you vary magnification over a wide range so that one pair of binoculars can be used for all general purposes, plus specialized pursuits such as bird-watching and wildlife observation.



at 6x



at 15x



6-15X,35 ZCF



Trim, lightweight and easy-to-handle, these versatile zoom binoculars have Interference-Filter-Coated optics that protect your eyes by eliminating harmful ultra-violet and infrared rays. They cover the entire general purpose viewing range with plenty of power to spare.



9-20X,35 ZCF



Offering even more power, these high-quality zoom binoculars also have Interference-Filter-Coated optics. They not only give you optimum magnification for a broad range of subjects, they also provide the high power and added reach to observe the shyest or fiercest forms of wildlife from a very discrete distance.

Specifications

● BINOCULARS & MONOCULARS

●Type	●Magnification	●Diameter of Objective Lens(mm)	●Diameter of Exit Pupil(mm)	●Angle of View	●Relative Brightness	●Field of View at 1000 yards(ft.)	●Field of View at 1000m(m)	●Height & Width(cm)	●Weight(g)		
ZCF											
7x,35	7x	35	5.0	6.5°	25	341	134	15.0×17.0	500		
7x,50	7x	50	7.1	7.1°	51	372	124	17.8×20.0	1000		
8x,30	8x	30	3.7	7.5°	14	394	131	11.1×16.2	510		
10x,50	10x	50	5.0	5.5°	25	289	96	17.3×20.0	1000		
12x,50	12x	50	4.2	5.5°	17	289	96	16.7×20.0	1000		
16x,50	16x	50	3.1	4.0°	10	210	70	17.0×20.0	1000		
BWCF											
7x,35	7x	35	5.0	11.0°	25	578	193	12.4×18.2	900		
8x,40	8x	40	5.0	9.5°	25	499	166	14.4×18.2	980		
BIF											
6x,30	6x	30	5.0	8.5°	25	446	149	12.5×17.2	640		
7x,50	7x	50	7.1	7.3°	51	382	127	18.5×21.0	1300		
8x,30	8x	30	3.7	8.5°	14	446	149	12.5×17.2	630		
ZOOM											
6-15x,35	6x	35	5.83	6.0°	34	314	105	14.3×19.5	1080		
	8x	35	4.37	5.5°	19	288	96.11				
	9x	35	3.88	5.2°	15.1	271	90.2				
	11x	35	3.18	4.8°	10.1	253	84.4				
	13x	35	2.61	4.4°	6.8	230	76.5				
9-20x,35	15x	35	2.33	4.0°	5.4	210	69.8	14.3×19.5	1080		
	9x	35	3.88	4.7°	15.1	245	81.5				
	11x	35	3.18	4.3°	10.1	224	74.8				
	13x	35	2.69	4.0°	7.2	210	69.8				
	15x	35	2.33	3.7°	5.4	192	64.0				
18x,35	18x	35	1.94	3.4°	3.8	178	59.1	14.3×19.5	1080		
	20x	35	1.77	3.3°	3.1	173	57.7				
DCF											
8x,30	8x	30	3.7	7.0°	14.1	371	122	12.3×11.9	480		
9x,30	9x	30	3.3	6.7°	11.1	356	117	14.2×11.9	520		
7x,20	7x	20	2.8	7.5°	8.2	394	131	9.7×10.0	182		
9x,20	9x	20	2.2	6.2°	4.9	324	108	9.1×10.0	190		
MCF											
8x,24	8x	24	3.0	6.5°	9	373	114	11.2×11.0	340		
10x,24	10x	24	2.4	5.1°	5.8	296	90	10.8×11.0	330		
Monocular											
						8x,30			7x,21		
Magnification						8x			7x		
Effective Diameter of Objective Lens						30mm			21mm		
Angle of View						6.2°			7.5°		
View at 1000 Meters						108m			131m		
Diameter of Exit Pupil						3.8mm			3mm		
Relative Brightness						14.4			9		
Dimensions						124×42mm			91.3×31mm		
Height(monocular only)						124mm			91.3mm		
Weight(monocular only)						220g			90g		
Focal Length of Objective						112-104mm			77.476mm		
With Close Up Lens Magnification						25x			22x(attached to monocular)		
Height(with stand)						213mm			174mm		
Angle of View						8mm			10.5mm		
Weight(with stand)						260g			127g		
Scale Range						0.1mm-4mm(1 gradation - 0.1mm)					

● TELESCOPES

PENTAX-100ED · PENTAX-100

Objective lens: 2-element SMC Pentax ED apochromat (Pentax-100 ED); 2 elements, achromatized (Pentax-100) ● Effective aperture: 102 mm ● Focal length: 1200 mm ● Relative aperture: 1 : 11.8 ● Resolving power: 1.14" ● Limiting visual magnitude: 12.1 ● Light gathering power: 212 X

Attached eyepieces: Or5: 4 elements, 240 X, 10' real field of view ● Or6: 4 elements, 200 X, 12' real field of view ● K9: 3 elements, 133X, 20' real field of view ● K12.5: 3 elements, 96 X, 28' real field of view ● K25: 3 elements, 48 X, 57' real field of view

Finder Scope: Objective lens: 2 elements, achromatized ● Effective aperture: 30 mm ● Magnification: 6 X ● Real field of view: 7° ● Eye ring: 5 mm ● With a central cross reticle focusing plate

Guiding Scope: Objective lens: 2 elements achromatized ● Effective aperture: 50 mm ● Magnification: 32 X ● Real field of view: 1°24' ● IRK 12.5 dark field illumination eyepiece (power source separate)

Polar Axis Finder: Objective lens: 2-elements, achromatized ● Magnification: 6 X ● Real field of view: 7° ● Eyepiece with a Polaris-setting circle reticle

Dimensions and Weight: Telescope tube: Weight 5.9 kg ● Equatorial mount (at 35° lat): Overall height: 530 mm; weight: 13.6 kg. ● Tripod (23° angle between legs): overall height: 1,344 mm; Weight: 4 kg.

Standard Accessories: Zenith prism ● Sun-projection board ● Sun glass ● Mount cover ● Telescope tube case

PENTAX-85 ED · PENTAX-85

Objective Lens: 2 element SMC Pentax ED apochromat (Pentax-85 ED) ● 2 elements, achromatized (Pentax-85) ● Effective aperture: 85 mm ● Focal length: 1,000 mm ● Relative aperture: 1 : 11.8 ● Resolving power: 1.36" ● Limiting visual magnitude: 11.7 ● Light gathering power: 147 X

Standard Eyepieces: Or6: 4 elements, 167 X, 14.4' real field of view ● K12.5: 3 elements, 80 X, 34' real field of view ● K25: 3 elements, 40 X 1°09' real field of view

Finder Scope: Objective lens: 2 elements, achromatized ● Effective aperture: 30 mm ● Magnification: 6 X ● Real field of view: 7° ● Eye ring: 5 mm ● With central cross reticle focusing plate

Polar Axis Finder: Objective lens: 2 elements, achromatized ● Magnification: 6 X ● Real field of view: 7° ● Eyepiece with Polaris-setting circle reticle

Dimensions and Weight: Telescope tube: weight 4 kg. ● Equatorial mount (at 35° lat): overall height: 520 mm; weight: 13.2 kg. ● Tripod (25° angle between legs): Overall height: 1,214 mm; weight: 3.9 kg

Standard Accessories: Zenith prism ● Sun-projection board ● Sun glass ● Mount cover ● Telescope tube case

PENTAX-65 ED · PENTAX-65

Objective lens: 2-element SMC Pentax ED apochromat (Pentax-65 ED) 2 elements, achromatized (Pentax-65) ● Effective aperture: 65 mm ● Focal length: 700 mm ● Relative aperture: 1 : 10.8 ● Resolving power: 1.78" ● Limiting visual magnitude: 11.2 ● Light gathering power: 86 X

Standard Eyepieces: Or6: 4 elements, 117 X, 20' real field of view ● K20: 3 elements, 35 X, 1°17' real field of view

Finder Scope: Objective lens: 2 elements, achromatized ● Effective aperture: 21 mm ● Magnification: 6 X ● Real field of view: 6°24' ● Eye ring: 3.5 mm

Polar Axis Finder: Objective lens: 2 elements, achromatized ● Magnification: 6 X ● Real field of view: 6°36' ● Eyepiece with Polaris setting circle reticle

Dimensions and Weight: Telescope tube: Weight: 1.5 kg. ● Equatorial mount (at 35° lat): Overall height: 285 mm; weight: 6.0 kg. ● Tripod (23° angle between legs): Overall height: 700 mm ~ 1,210 mm; Weight: 4.0 kg.

Standard Accessories: Zenith mirror ● Sun-projection board ● Sun glass ● Telescope tube case

Specifications are subject to change without notice.

PENTAX®

Asahi Optical Co., Ltd. C.P.O. 895, Tokyo 100-91, JAPAN
 Asahi Optical Europe N.V. Weveldlaan 3-5, 1930 Zaventem Zuid-7, BELGIUM
 Pentax Handelsgesellschaft mbH. Postfach 54 0169, 2000 Hamburg 54, WEST GERMANY
 Pentax U.K. Limited Pentax House, South Hill Avenue, South Harrow, Middlesex HA2 0LT, U.K.
 Pentax France S.A. 72-76 Rue Paul, Vaillant Couturier, 92300 Levallois Perret, FRANCE
 Pentax Nederland Spineveld 25, 4815 HR Breda, THE NETHERLANDS
 Pentax (Schweiz) AG Industriestrasse 2, 8305 Dietlikon ZH, SWITZERLAND
 Pentax Svenska AB Hornsgatan 50A, 11721 Stockholm, SWEDEN
 Pentax Corporation 35 Inverness Drive East, Englewood, Colorado 80112, U.S.A.
 Pentax Canada Inc. 1760 West 3rd Avenue, Vancouver, B.C. V6J 1K5, CANADA
 Asahi Optical Brasileira Ind. e Com. Ltda. Rua Estados Unidos, 1053, Sao Paulo-SP, BRAZIL

